



FFG

CIR-CE

Co-operation in
Innovation and **R**esearch with
Central and **E**astern Europe



Objectives of CIR-CE

Establishment and extension of transnational, business-driven innovation networks (particularly SME) between Austria and Central- and Eastern Europe for the creation and implementation of innovation and for strengthening of technology transfer



NETWORK-Projects and INNOVATION-Projects

NETWORK-Projects (NP)	Innovation-Projects (IP)
<p>Establishment of cooperation, direct benefit for SME to be proofed</p> <p>Technical feasibility-studies possible</p>	<p>Projects with ambitious element of RTDI</p> <p>Projects focused on commercialisation / technology transfer</p>

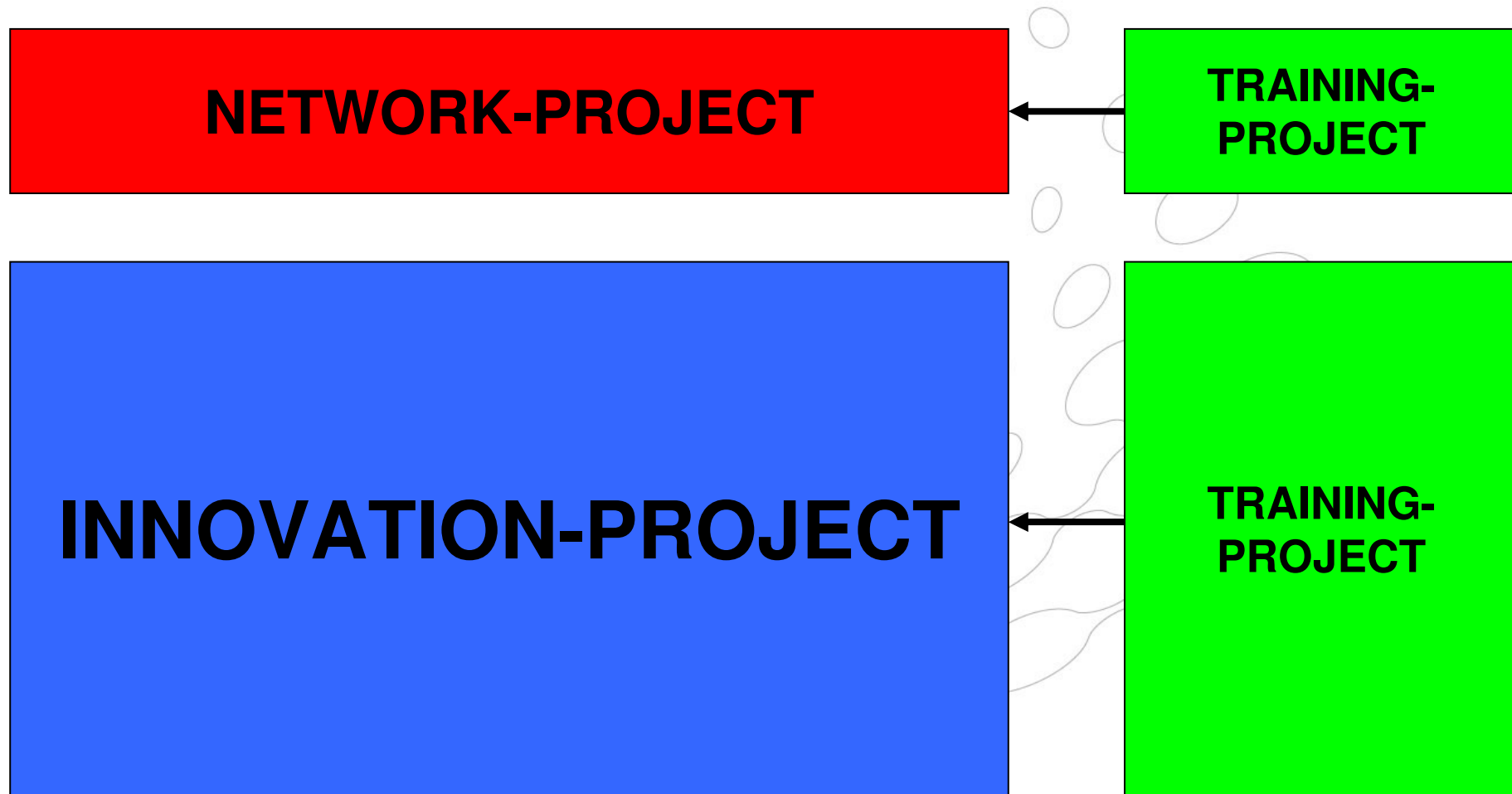
Maximum Public Funding

NETWORK- Projects	INNOVATION- Projects
Up to 75 %	Up to 45 %
Up to 150.000 €	Up to 400.000 €

Maximum Duration of Projects

NETWORK- Projects	INNOVATION- Projects
1,5 Years	3 Years

CIR-CE Categories of Projects



Applicants

Intermediary Organisations:

Clusters

Competence Centres

Cooperative research institutes

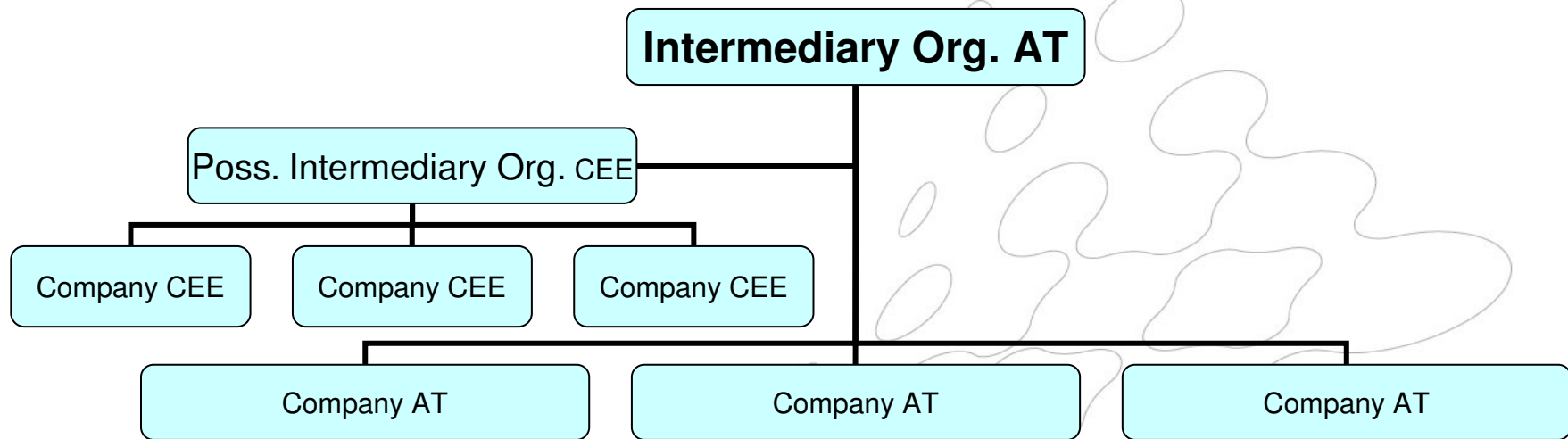
Research institutes acting as intermediary organisations
(focus on technology- and knowledge transfer)

Network of companies with network-coordinator

Architecture of Partners

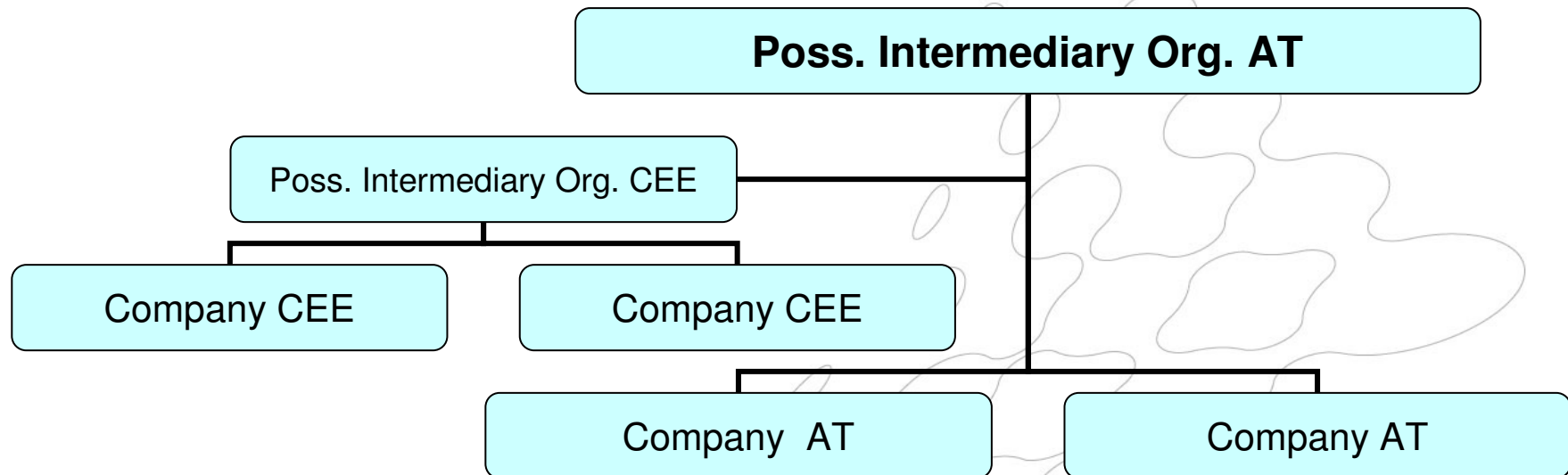
Role of Partner	AUSTRIA	Central- and Eastern Europe
Mandatory Partners	Min. of 3 companies (NP)	3 companies (NP) + ev. Intermediary Organisation
	Min. of 2 companies (IP)	Min. of 2 companies (IP)
Further Partners	Research Institutes (University, "Fachhochschulen", other non-university Research Institutes) Additional companies All organisations that could have been applicants	

Network-Project CIR-CE (Strapamo-Model)
Applicant (Intermediary Organisation AT) + Mandatory Partners
(additional partners possible)



INNOVATION-Project CIR-CE

Applicant (Intermediary Organisation AT) + Mandatory Partners
(additional partners possible)





Partner-Countries Central and Eastern Europe



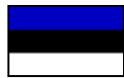
Albania



Bosnia and Herzegovina



Bulgaria



Estonia



Croatia



Latvia



Lithuania



Macedonia



Poland



Romania



Serbia and Montenegro



Slovakia



Slovenia



Czech Republic



Hungary



Funding of Partners from Central and Eastern Europe

The same State Aide rules are valid for Central and Eastern European Partners

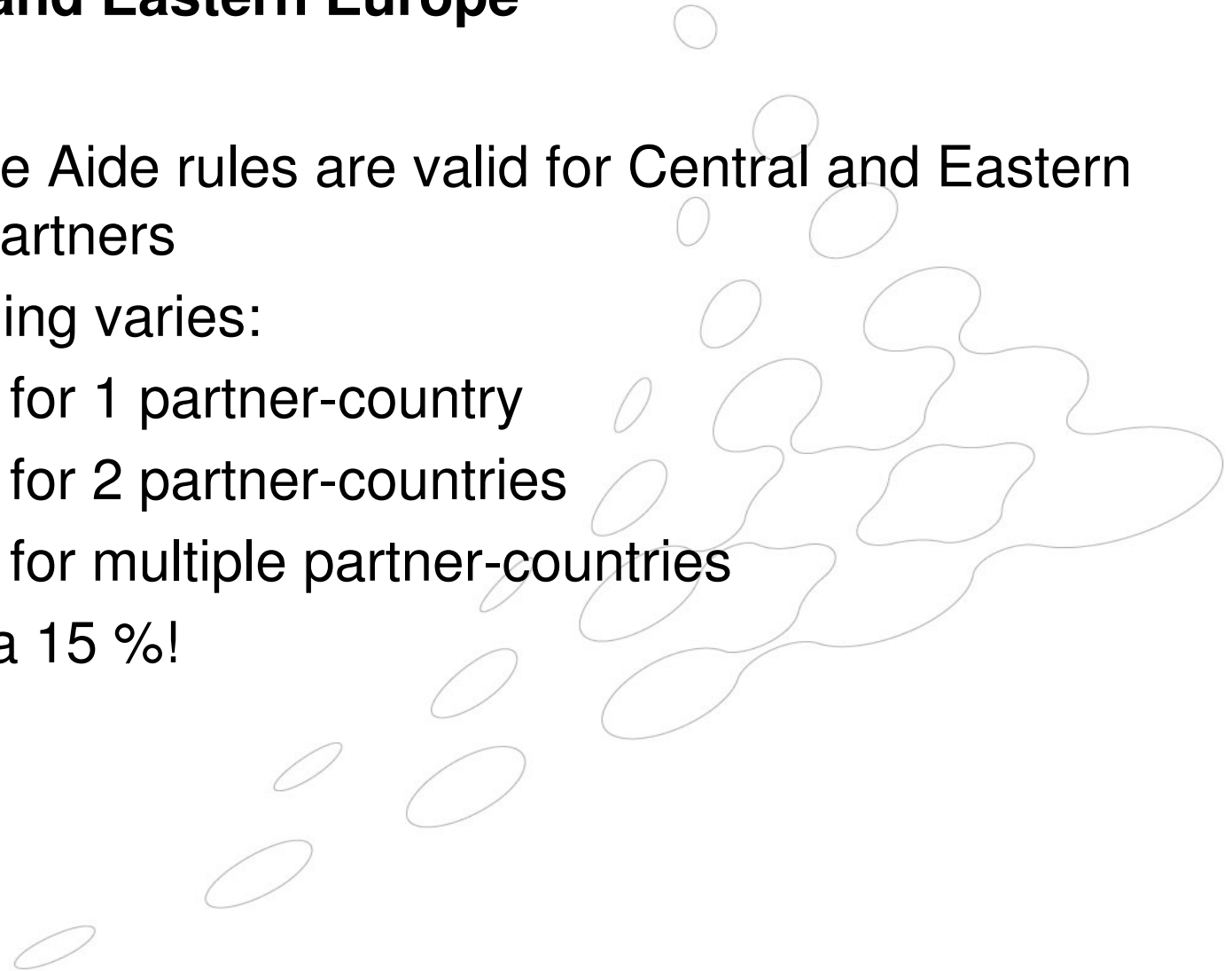
Maximum funding varies:

up to 25 % for 1 partner-country

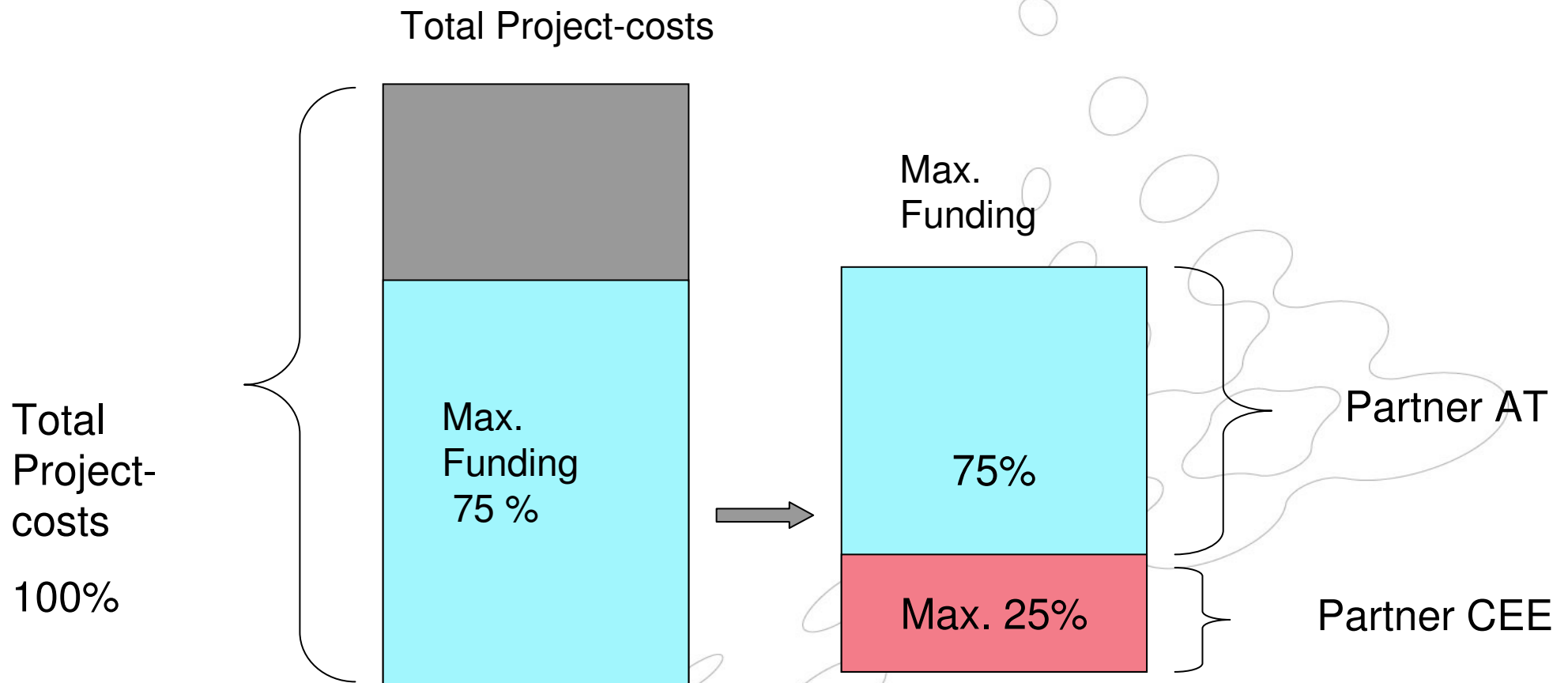
up to 35 % for 2 partner-countries

up to 40 % for multiple partner-countries

Minimum quota 15 %!



Example for 1 CEE-Partner Country



Important Dates

May 25th: opening first call for proposals –opening event at
Austrian Federal Economic Chamber, Vienna

September 12th: deadline

Begin of November: Evaluation panel

Mid November: announcement of projects to be funded

Until end of December: contract negotiations

Looking for Partners?

Assistance: Reinhold Gruber

E-mail: reinhold.gruber@ffg.at

Phone: *43 (0)5 77 55 – 4602

Further information:

www.cir-ce.at



Advisory Service...

BIRGIT BAUMANN

E-mail: Birgit.baumann@ffg.at

Phone: *43 (0)5 77 55 – 2401

SUSANNE SPIESZ

E-mail: Susanne.spiesz@ffg.at

Phone: *43 (0)5 77 55 – 2404

